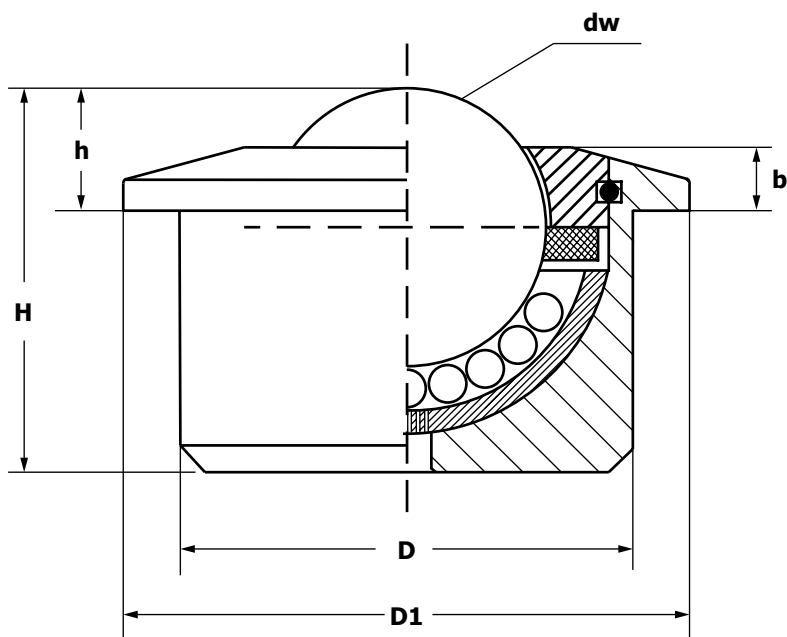




“SPM” heavy duty “CX” type



- Housing with flange made of machined from rod and hardened steel, to guarantee high load capacities and higher resistance to strong conditions.
- They are particularly suggested for use in airport implants, deposits, airport handling units and so on.
- Inner ball race made of AISI 420C hardened stainless steel and 1/5 drain holes at the bottom.
- Reinforced cover cap made of machined steel.
- Felt sealing system (if required they can be supplied without gasket to guarantee a better fluency).
- All the listed versions can be manufactured with an insert clip for the insertion of a fixing ring according to DIN 471, at the wished height.

ARTICLE	TYPE	VERSION	DIMENSIONS						LOADING CAPACITY (Kg)		W. (Kg)
			dw	D	D1	h	H	b			
SPM03000CX	SPM 30 CX	Zinc plated steel body, inner ball race made of AISI 420C hardened stainless steel, balls made of AISI 420C stainless steel	30	45 ± 0,08	55	13,8 ± 0,3	36,8	8	210	0,355	
SPM04500CX	SPM 45 CX		45	62 ± 0,1	75	19 ± 0,4	53,5	10	400	0,990	
SPM03000SSCX	SPM 30 SS CX	AISI 303 stainless steel body, inner ball race made of AISI 420C hardened stainless steel, balls made of AISI 420C stainless steel	30	45 ± 0,08	55	13,8 ± 0,3	36,8	8	210	0,355	
SPM04500SSCX	SPM 45 SS CX		45	62 ± 0,1	75	19 ± 0,4	53,5	10	400	0,990	